

1 Appearance

- ① Display Screen ② Microphone ③ Debugging Port ④ Two-Wire Interface
- ⑤ Loudspeaker ⑥ TF Card Slot ⑦ Alarm Terminal

Note: The debugging port is used for debugging only.

2 Wiring

There are 20 pins in the terminal on the rear panel of the indoor station: 2 RS-485 pins, 5 reserved pins, 4 relay output pins, 8 alarm input pins, and 1 GND pin.

Wire the devices with power supply cables.

Caution: Make sure all the related equipment is power-off during the installation.

Note: The power output of the indoor station is 24 VDC, 4 W.

3 Installation

The wall mounting plate and the junction box are required to install the indoor station onto the wall. The dimension of junction box should be 75 mm (width) × 75 mm (length) × 50 mm (depth). The dimension of wall mounting plate is shown.

Before you begin:

1. Tools that you need to prepare for installation: Make sure the device in the package is in good condition and all the assembly parts are included.
2. The power supply the indoor station supports is 24 VDC. Please make sure your power supply matches your indoor station.
3. Make sure all the related equipment is power-off during the installation.
4. Check the product specification for the installation environment.

★ Wall Mounting with Junction Box

1. Chisel a hole in the wall. The size of the hole should be 76 mm (width) × 76 mm (length) × 50 mm (depth).
2. Insert the junction box to the hole chiseled on the wall.
3. Fix the wall mounting plate to the junction box with 2 screws.
4. Hook the indoor station to the wall mounting plate tightly by inserting the plate hooks into the slots on the rear panel of the indoor station, during which the lock catch will be locked automatically.

4 Getting Started

1 Activate Indoor Station

You are required to activate the device first by setting a strong password for it before you can use the device.

1. Power on the device. It will enter the activation page automatically.
2. Create a password and confirm it.
3. Tap OK to activate the indoor station.

2 Quick Configuration

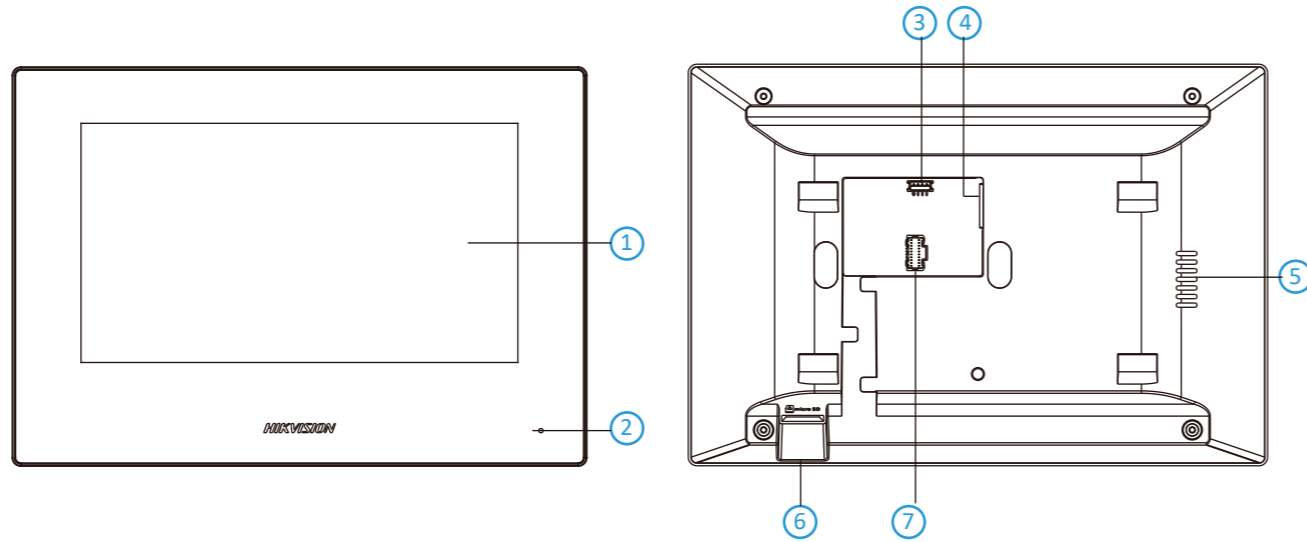
- After Activation, you can follow the wizard to complete quick configuration, including language settings, network settings, indoor station settings, linked devices settings, etc.
- If you want to enter the wizard page, you can tap Settings → → Configuration, and enter the admin (activation) password. Tap to enter the system maintenance page.

★ Refer to Video Intercom Indoor Station Configuration Guide (scan the QR code) for details.

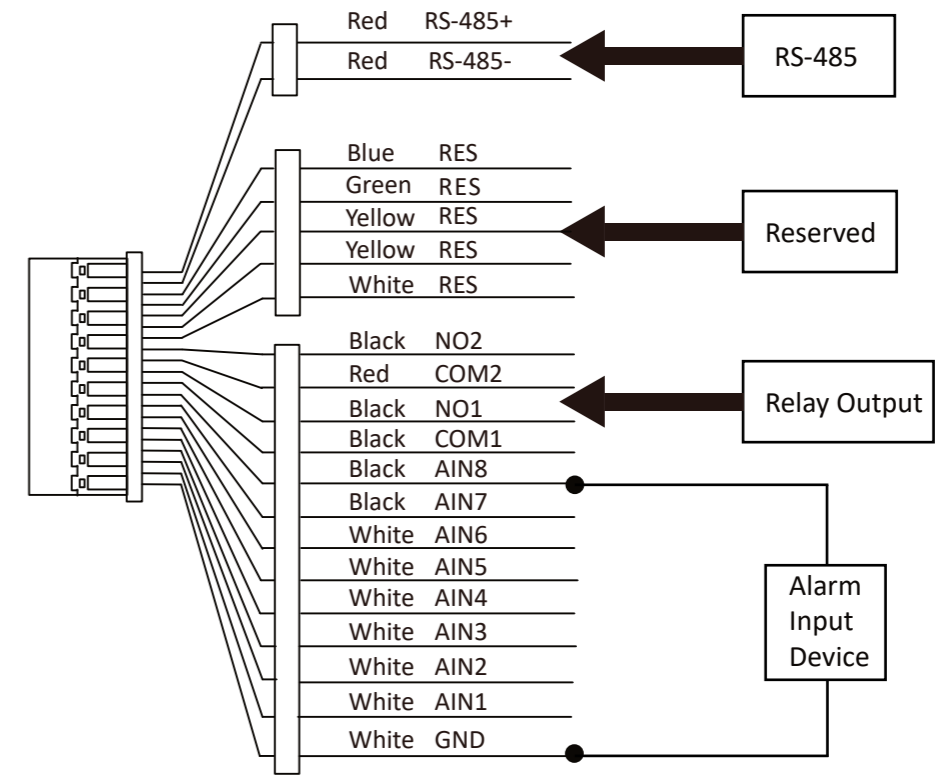
★ Refer to Video Intercom Indoor Station Operation Guide (scan the QR code) for details.



1



2



3

